

Thank you for purchasing a Sealey product. Manufactured to a high standard, this product will, if used according to these instructions, and properly maintained, give you years of trouble free performance.

IMPORTANT: PLEASE READ THESE INSTRUCTIONS CAREFULLY. NOTE THE SAFE OPERATIONAL REQUIREMENTS, WARNINGS & CAUTIONS. USE THE PRODUCT CORRECTLY AND WITH CARE FOR THE PURPOSE FOR WHICH IT IS INTENDED. FAILURE TO DO SO MAY CAUSE DAMAGE AND/OR PERSONAL INJURY AND WILL INVALIDATE THE WARRANTY. KEEP THESE INSTRUCTIONS SAFE FOR FUTURE USE.



Refer to instruction manual



Wear eye protection

1. SAFETY

- WARNING!** Ensure Health and Safety, local authority and general workshop practice regulations are adhered to when using tools.
 - DO NOT** use tool if damaged.
 - Maintain tool in good and clean condition for best and safest performance.
 - Wear approved eye protection. A full range of personal safety equipment is available from your Sealey stockist.
 - Wear suitable clothing to avoid snagging. **DO NOT** wear jewellery and tie back long hair.
 - DO NOT** attempt to start engine or move vehicle, whilst tools are fitted and work is in progress.
 - Ensure any disconnected fuel pipes are plugged to avoid spillage.
 - Account for all tools and parts being used, **DO NOT** leave them in or near the engine. Return all parts to the case and store this in a safe, dry, childproof location.
- IMPORTANT:** These instructions are provided as a guide only. Always refer to the vehicle manufacturer's service instructions, or a proprietary manual, to establish the current procedure and data.
- WARNING!** The warnings referred to in this guide cannot cover all possible conditions and situations that may occur. It must be understood that common sense and caution are factors which cannot be built into this product, but must be applied by the operator.

2. INTRODUCTION

A comprehensive set suitable for removing stubborn glow plugs. Ideal for removing plugs that have been unscrewed, but seized, due to residue build-up or where the filament has been distorted. Quick and effective method, saving time and money. Supplied in storage case.

3. SPECIFICATION

Model no VS313
External clamping collets 2.7, 3.6, 5(x2), 6mm

4. OPERATION

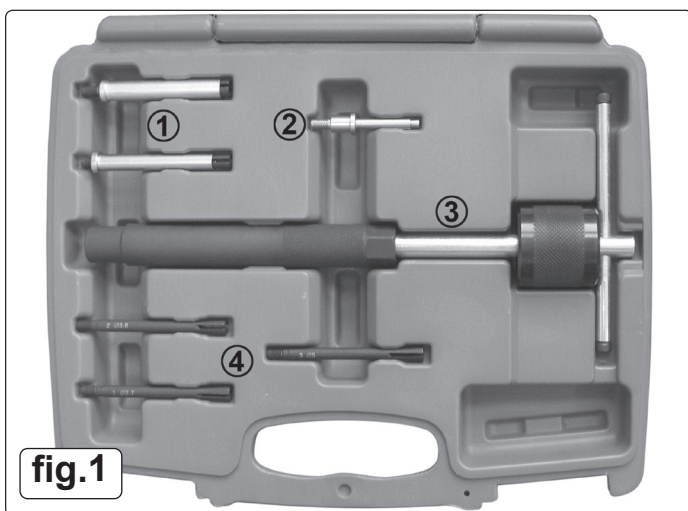


fig.1

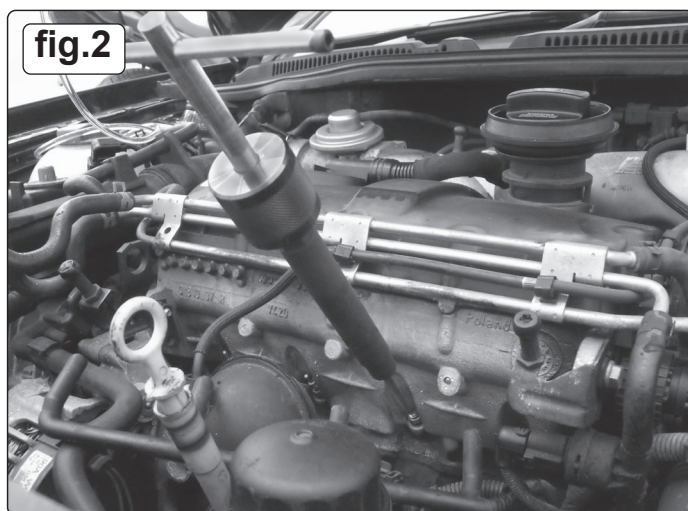
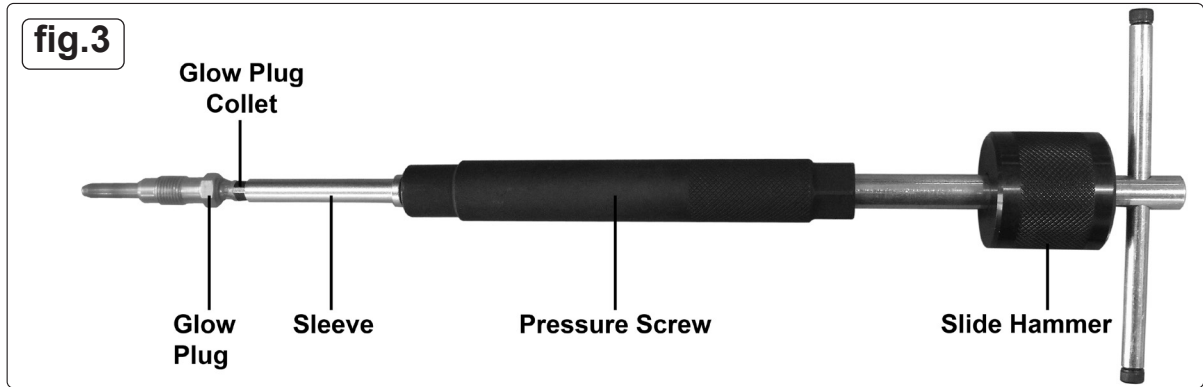


fig.2

Note: Ensure the glow plug has been fully unscrewed from the cylinder head, if not damage to the threads in the cylinder head may occur.

- 4.1. Take the correct sized glow plug collet (fig.1.4) and insert it through the appropriately sized sleeve (fig.1.1). Ensure the flange on the sleeve is the same side as the thread on the collet.
Note: The glow plug may not take an external collect but has the internal recess to accept the internal collet (fig.1.2).
- 4.2. Screw the collet into the tool (fig.1.3, screw back the pressure screw (fig.3) to allow the collet to be screwed fully home.
- 4.3. Insert the collet over the end of the glow plug or inside the glow plug (dependant on the type of collet needed).
- 4.4. Screw down the pressure screw so the collet tightens securely to the glow plug.

- 4.5. Use the slide hammer (fig.3) to gradually remove the seized glow plug.
- 4.6. If the glow plug cannot be removed, it may be necessary to use a suitable penetrating oil and leave for a period of time to assist the removal.
- 4.7. If the glow plug still cannot be removed, consult a main dealer or diesel specialist, to avoid damage to the engine.



ENVIRONMENT PROTECTION

Recycle unwanted materials instead of disposing of them as waste. All tools, accessories and packaging should be sorted, taken to a recycling centre and disposed of in a manner which is compatible with the environment. When the product becomes completely unserviceable and requires disposal, drain any fluids (if applicable) into approved containers and dispose of the product and fluids according to local regulations.

Note: It is our policy to continually improve products and as such we reserve the right to alter data, specifications and component parts without prior notice.

Important: No Liability is accepted for incorrect use of this product.

Warranty: Guarantee is 12 months from purchase date, proof of which is required for any claim.

Sealey Group, Kempson Way, Suffolk Business Park, Bury St Edmunds, Suffolk. IP32 7AR



01284 757500



01284 703534



sales@sealey.co.uk



www.sealey.co.uk